

Insul-Vent

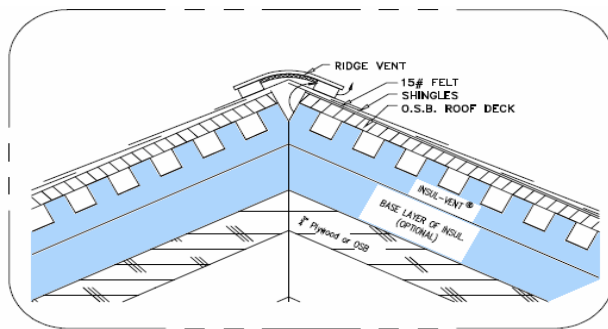
7-24-07

Vented Nail Based Insulation

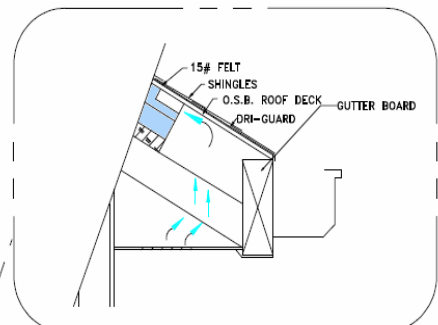
Application

Insul-Vent is a manufactured ventilated roof insulation, which allows for insulation outside the structural deck. **Insul-Vent** is especially useful with cathedral ceilings, under metal roofs, in log homes, or where attic space is not possible.

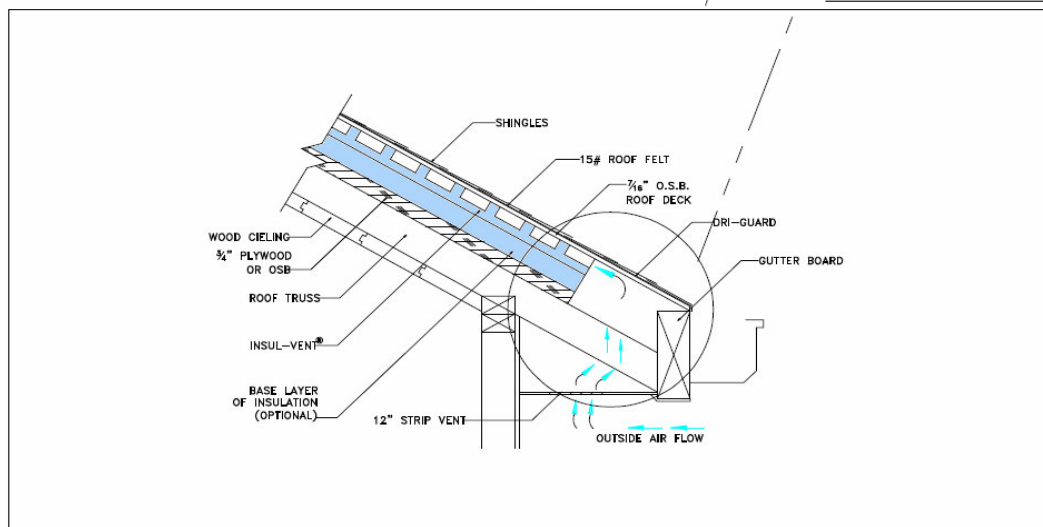
Install **Insul-Vent** directly over a dry, clean structural deck, with the “nodes” or pads facing up. Temporarily secure **Insul-Vent** to deck. Cover boards such as OSB or plywood should be secured to allow for 1” penetration into the structural deck.



RIDGE VENT DETAIL



SOFFIT VENT DETAIL



TYPICAL CATHEDRAL CEILING DETAIL
INSUL-VENT