

Thermal Block

Pre-Engineered Metal Building Roof Spacers

TECH DATA

7-24-07

1. PRODUCT NAME

Thermal Block

Pre-Engineered Metal Building Roof Spacers

2. MANUFACTURER

Chardan Specialties

705 S. Union St.
Bryan, OH 43506
Phone: (419) 636-6900
Fax: (419) 636-9292

3. PRODUCT DESCRIPTION

Basic Use: Chardan Specialties offers extruded polystyrene **Thermal Block** for the pre-engineered metal building industry. This product is designed to create a thermal break between the roof purlin and the metal roof panels.

Composition and Materials: **Thermal Blocks** are fabricated from extruded polystyrene, expanded polystyrene or polyisocyanurate insulations into custom thicknesses and widths.

4. TECHNICAL DATA

Thermal Block's are fabricated into standard thickness and widths of 3/4" x 3" , 3/4" x 4" , 1" x 4" , and 2" x 4" . **Thermal Block's**® can also be fabricated into custom sizes.

Thermal Block's are very inexpensive, lightweight and easy to install. The standard density is 25 psi, but it can be fabricated from 15 psi, or higher densities of 40 and 60

psi. **Thermal Block's** have been produced to reduce energy costs by as much as 28 percent.

5. INSTALLLATION

Temporarily apply **Thermal Block** to structural members with a small amount of adhesive such as Insta Stik or Great Stuff Pro foam adhesive.

6. AVAILABILITY AND COST

Thermal Block's are available from Chardan Specialties. To obtain competitive price information you can call Chardan Specialties at (419) 636-6900

7. WARRANTY

Thermal Block's are warranted to be free of defects in manufacture. The manufacturer cannot and does not guarantee results from the use

of the information provided and disclaims all liability from any loss or damage. No warranty, express or implied, is given as to the merchantability, fitness for a particular purpose, or otherwise with respect to the product.

8. MAINTENANCE

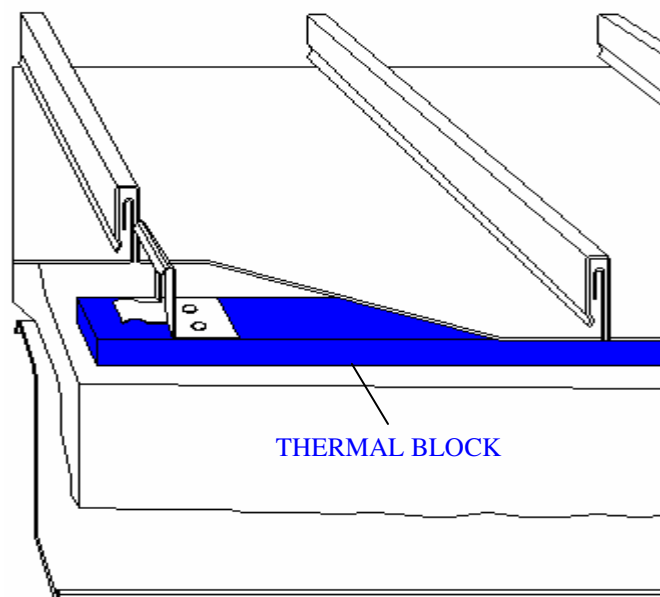
When installed in accordance with manufacturer's instructions, no maintenance is required.

9. TECHNICAL SERVICES

Technical advice may be obtained by contacting the manufacturer.
www-chardanspecialties.com

10. FILING SYSTEMS

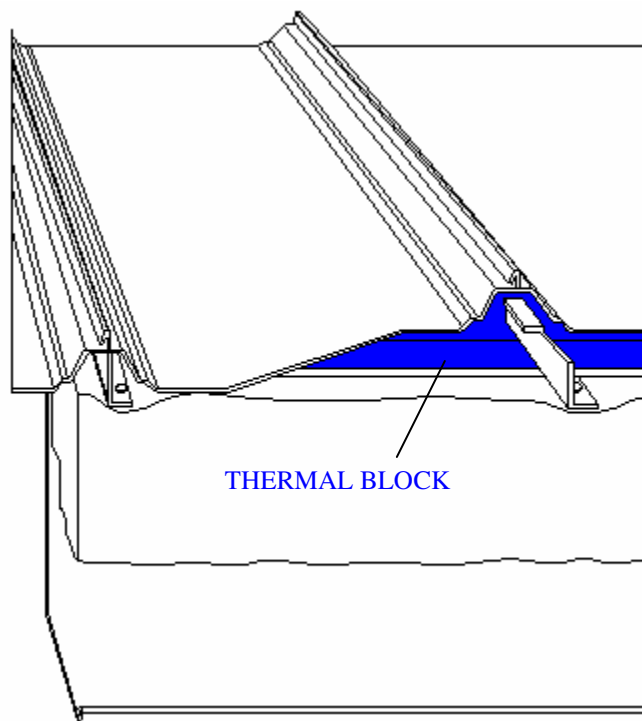
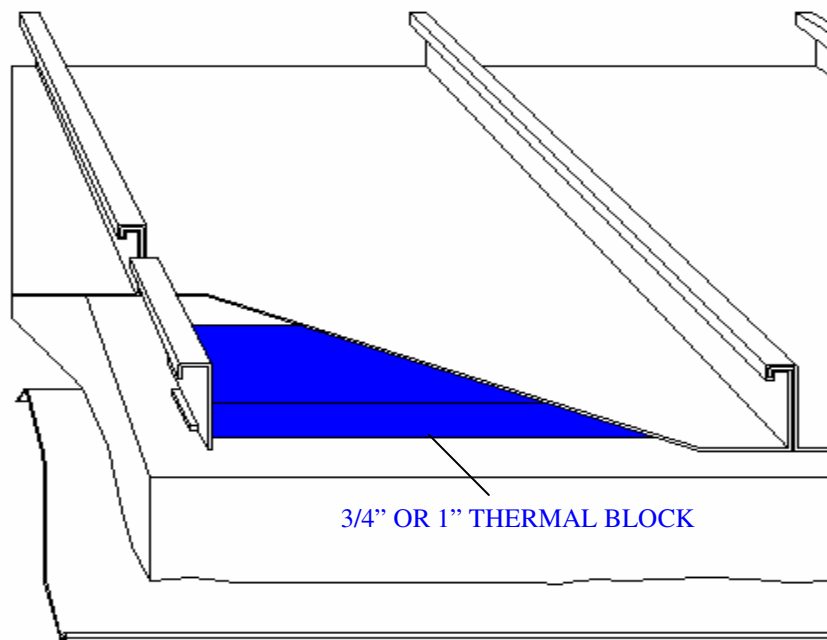
Additional manufacturer's information available upon request.



9-16-82-6

Thermal Block

Pre-Engineered Metal Building Roof Spacers



Chardan Specialties

705 S. Union St.
Bryan, OH 43506
Phone: (419) 636-6900
Fax: (419) 636-9292